

# 1-154 Quarter-Turn with L-Handle Pr20.1 L18 and 40

Hand operable, IP65, Padlockable, Optional pre-assembly

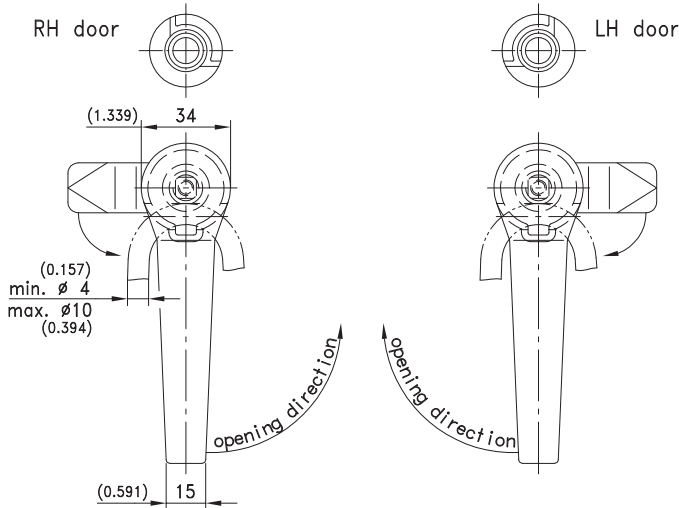
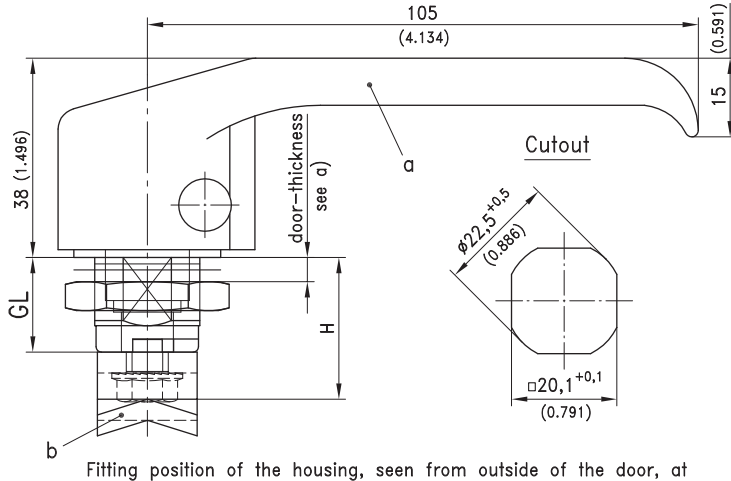


## Product Notes:

- Water and dust tight according to IP65, DIN EN 60529
- Components can be pre-assembled by DIRAK upon request
- Pre-assembled Quarter-Turn can be installed in cutout
- RH and LH application
- Padlock can be used only if cam is 90° to the handle
- L-Handle
- Stainless steel - see Product System 7-100

## Material:

- **L-handle** Zinc Die, Chrome Plated or Black
- **Housing:** Zinc Die, Zinc Plated
- **Cam:** Steel, Zinc Plated



	Chrome Plated	E-coated Black	Textured Powder Black	See Page
<b>a) Quarter-turn with L-handle with plain grounding nut</b>				
L=18 (door thickness max. 8mm)	200-9463	200-9464	200-9464.TX	
L=40 (door thickness max. 30mm)	200-9491	200-9492	200-9492.TX	
<b>b) Cam or 3-point cam</b>				<b>01.101</b>
Special cams				<b>01.102</b>
<b>Optional:</b>				
<b>c) Assembling cam 90° to handle without O-ring</b>	200-0019	200-0019	200-0019	
Assembling cam for left door	200-0020	200-0020	200-0020	
<b>Stainless steel version</b>				<b>01.60</b>